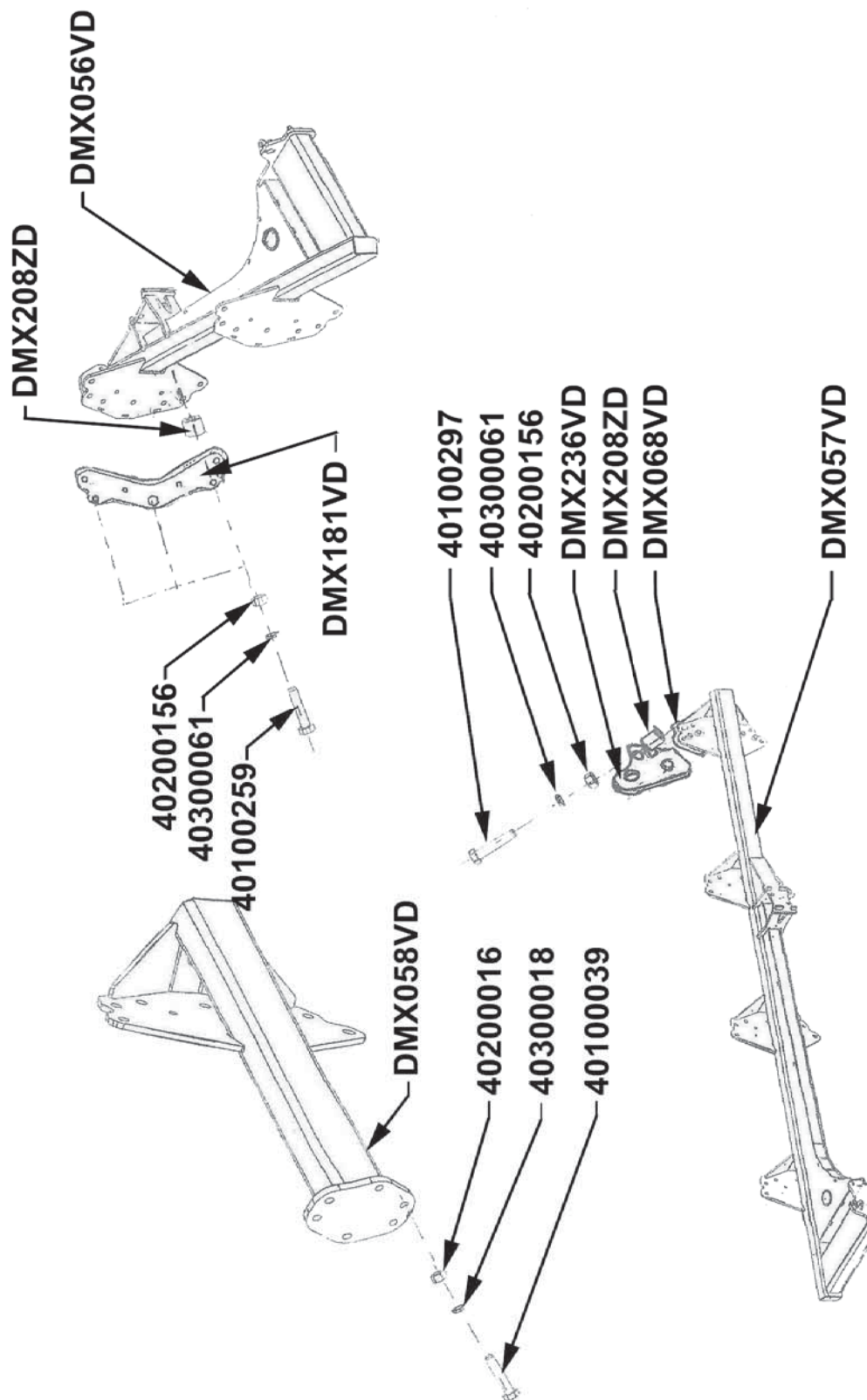




ENERGIA

Aretro Reversibile
Reversible Plough
Charrue Reversible

TELAIO - FRAME - CHASSIS

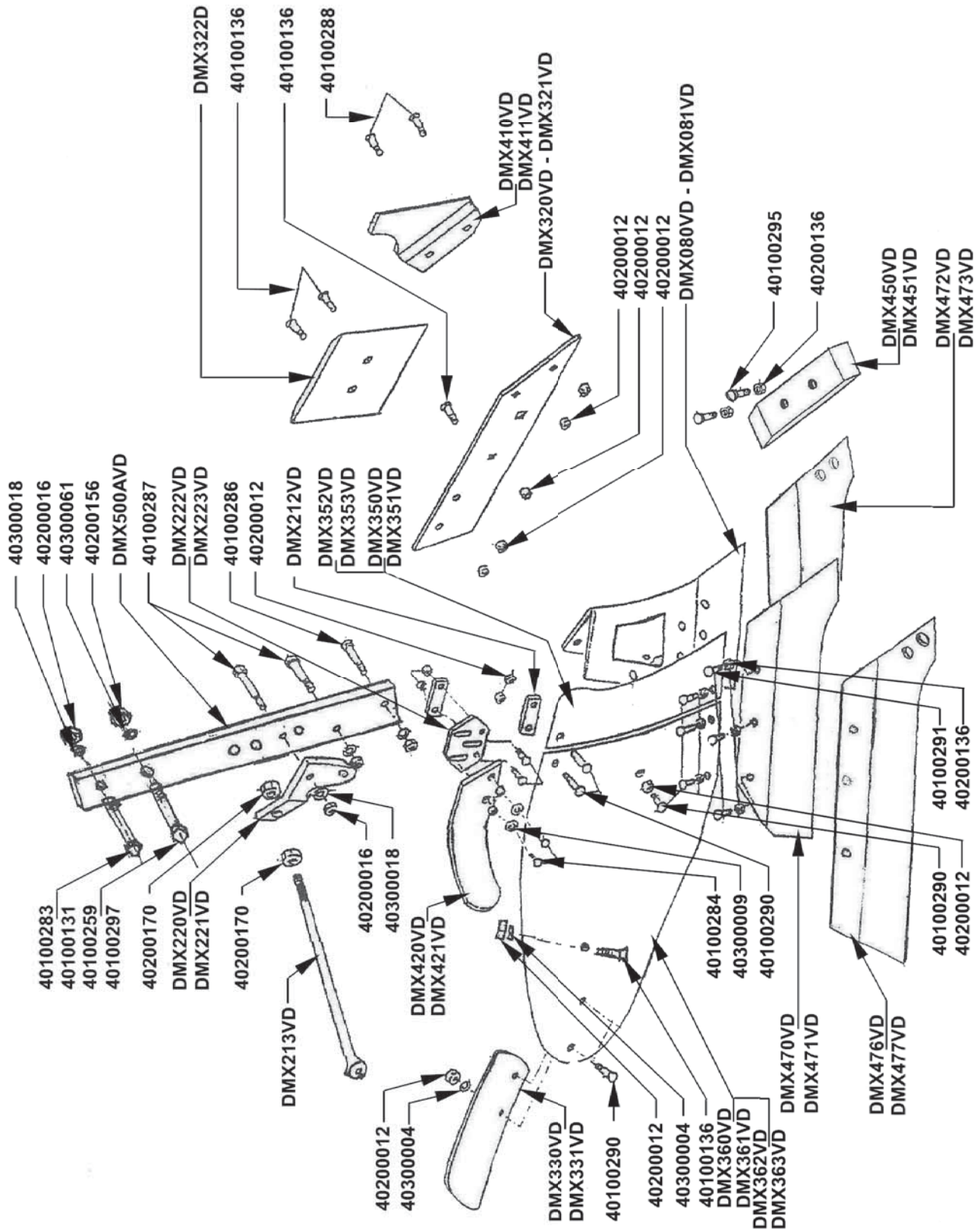




ENERGIA

Aretro Reversibile
Reversible Plough
Charrue Reversible

TELAIO - FRAME - CHASSIS

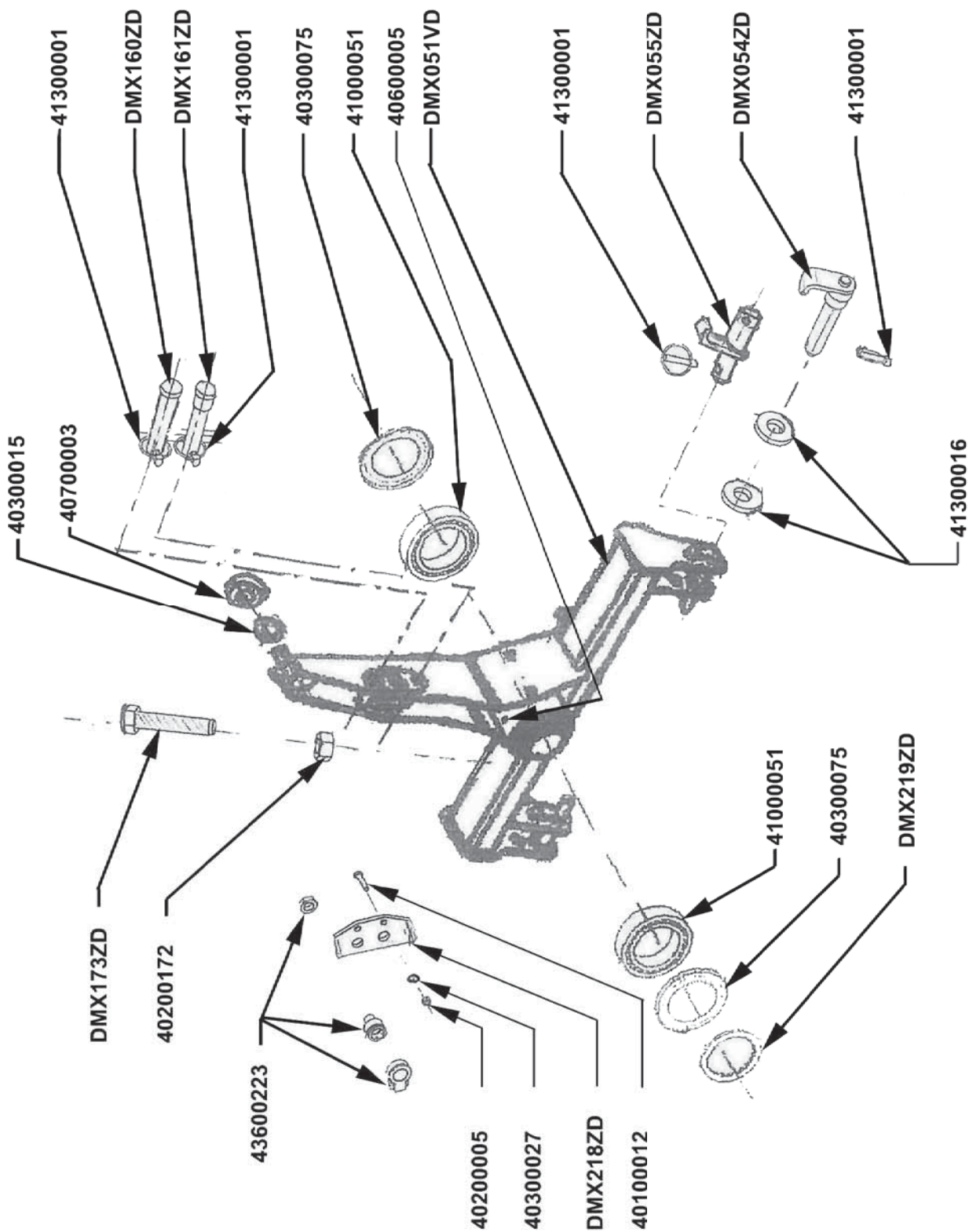




ENERGIA

Aretro Reversibile
Reversible Plough
Charrue Reversible

ATTACCO 3 P - 3 P HITCH - ATTELAGE 3 P

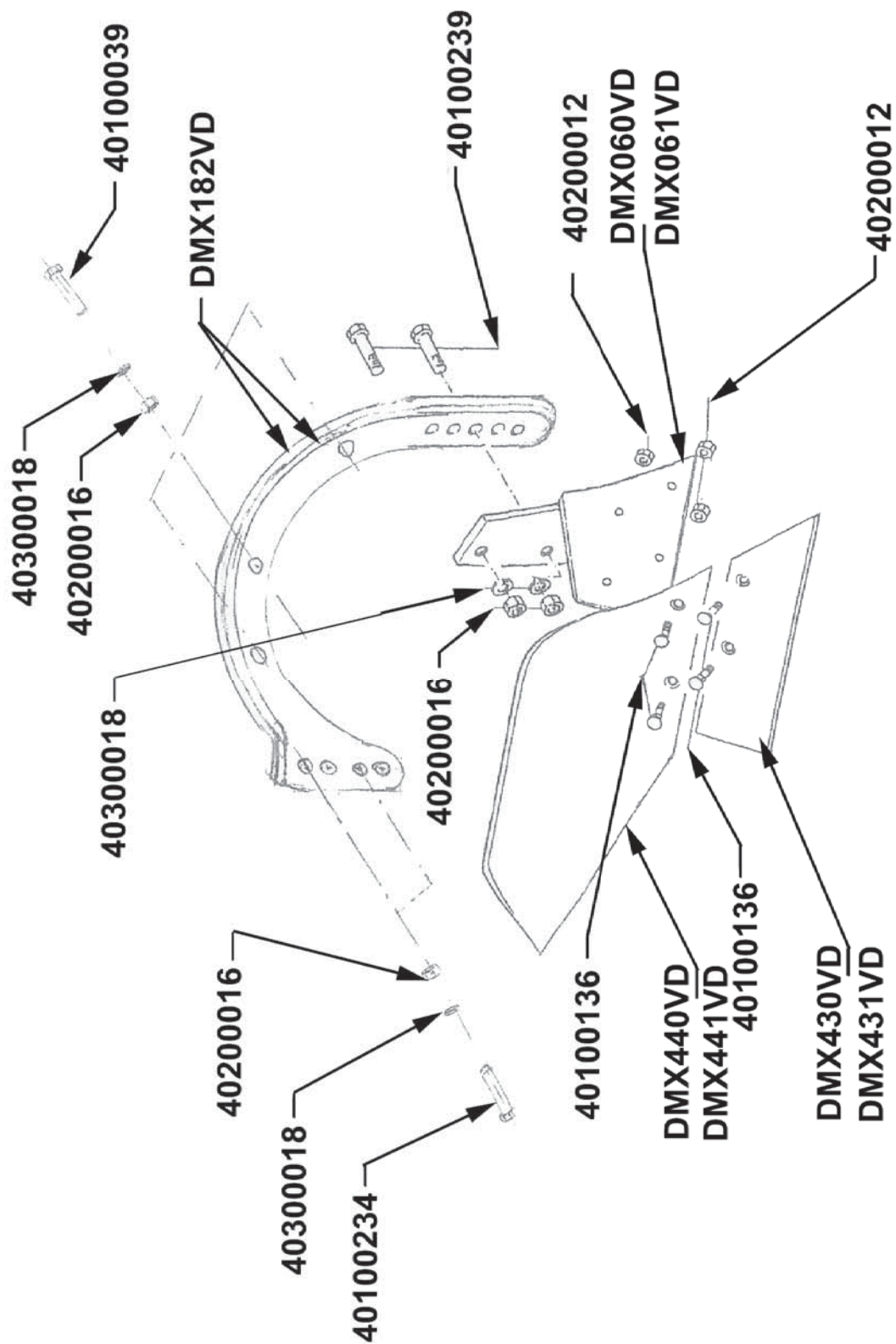




ENERGIA

Aretro Reversibile
Reversible Plough
Charrue Reversible

AVANVOMERE - SKIM COULTER - RASSETTE

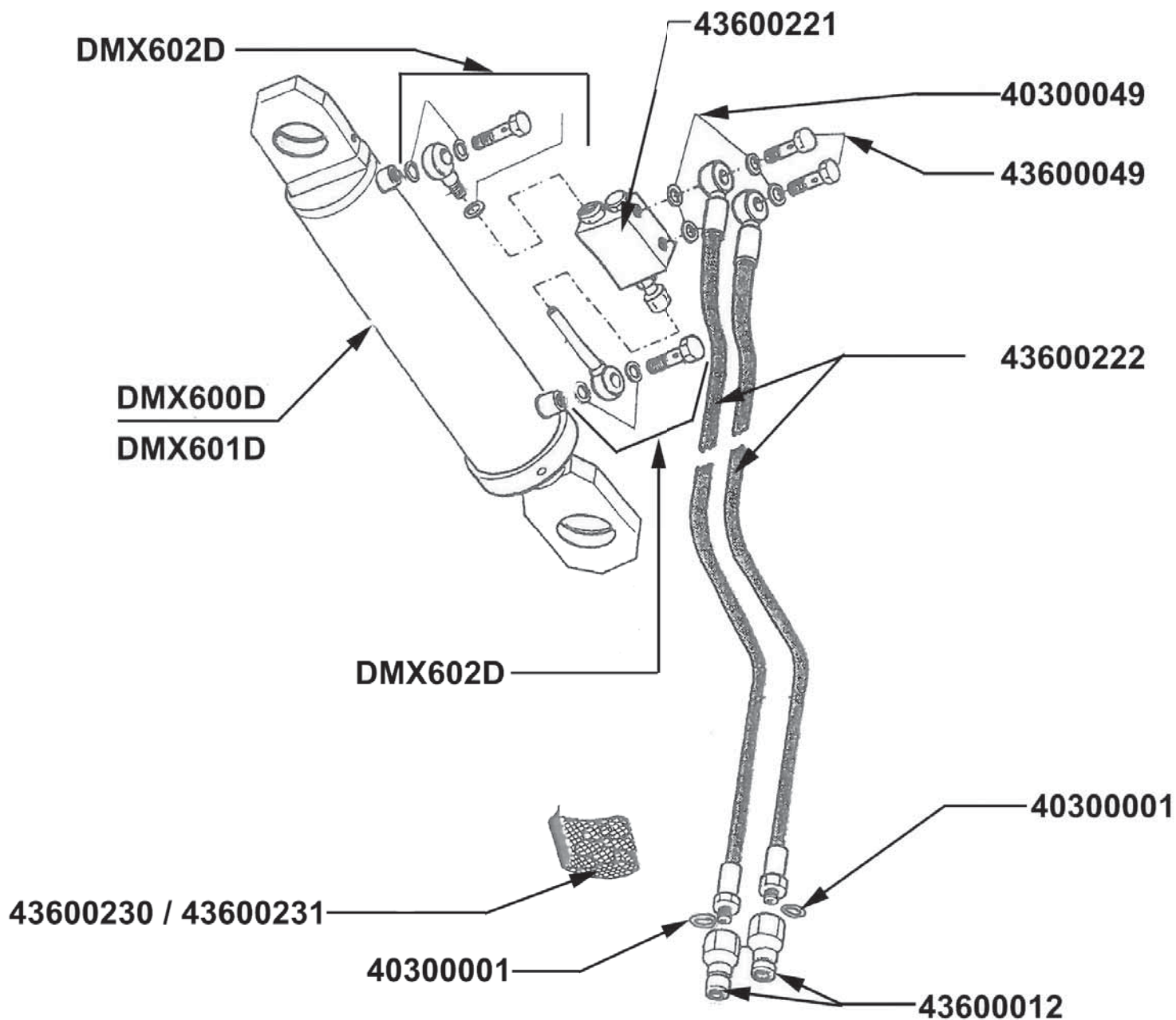




ENERGIA

Aretro Reversibile
Reversible Plough
Charrue Reversible

CILINDRO - CYLINDER - CYLINDRE

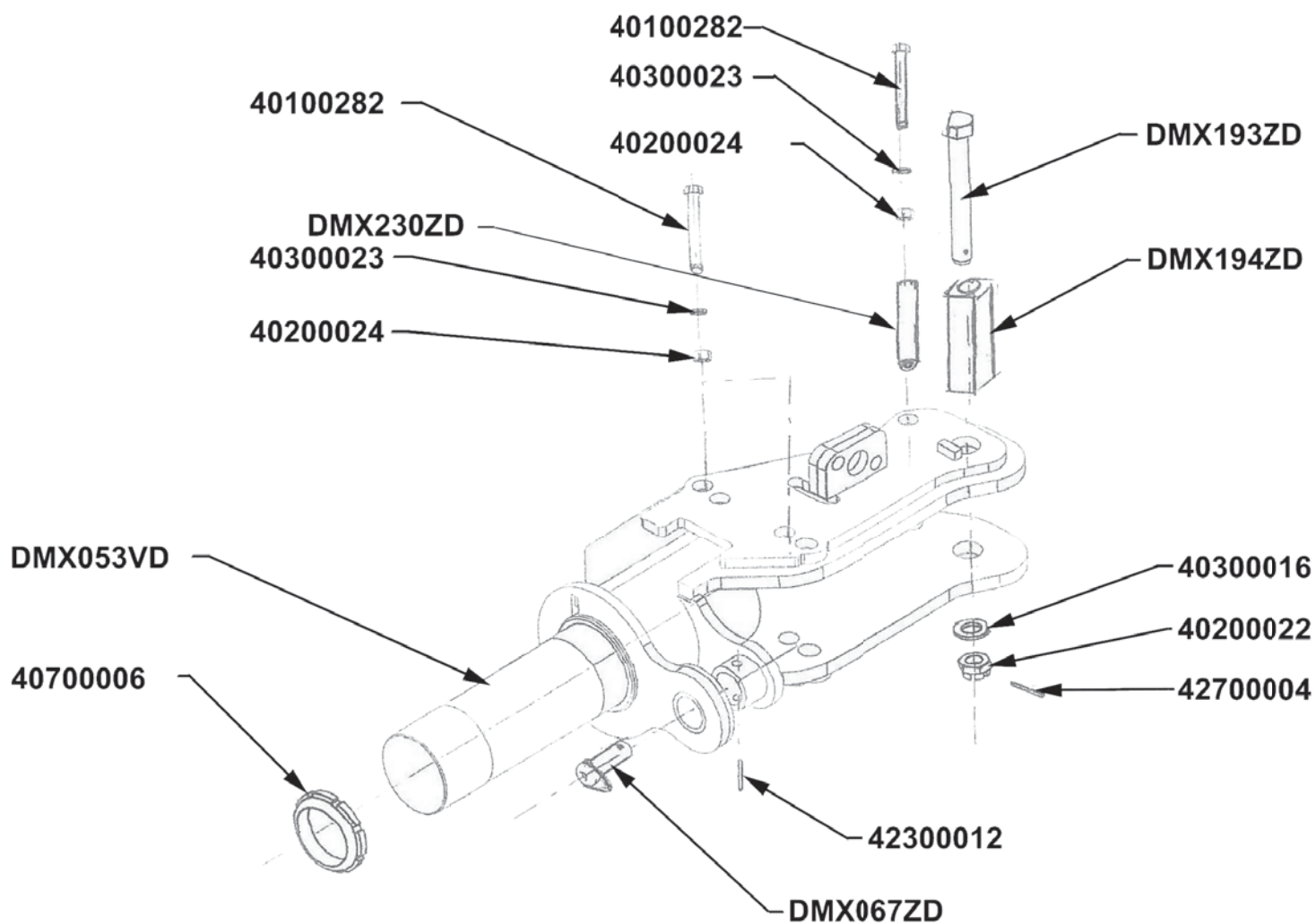




ENERGIA

Aretro Reversibile
Reversible Plough
Charrue Reversible

ASSE RIBALTAMENTO - REVERSING AXLE - AXE RENVERSEMENT

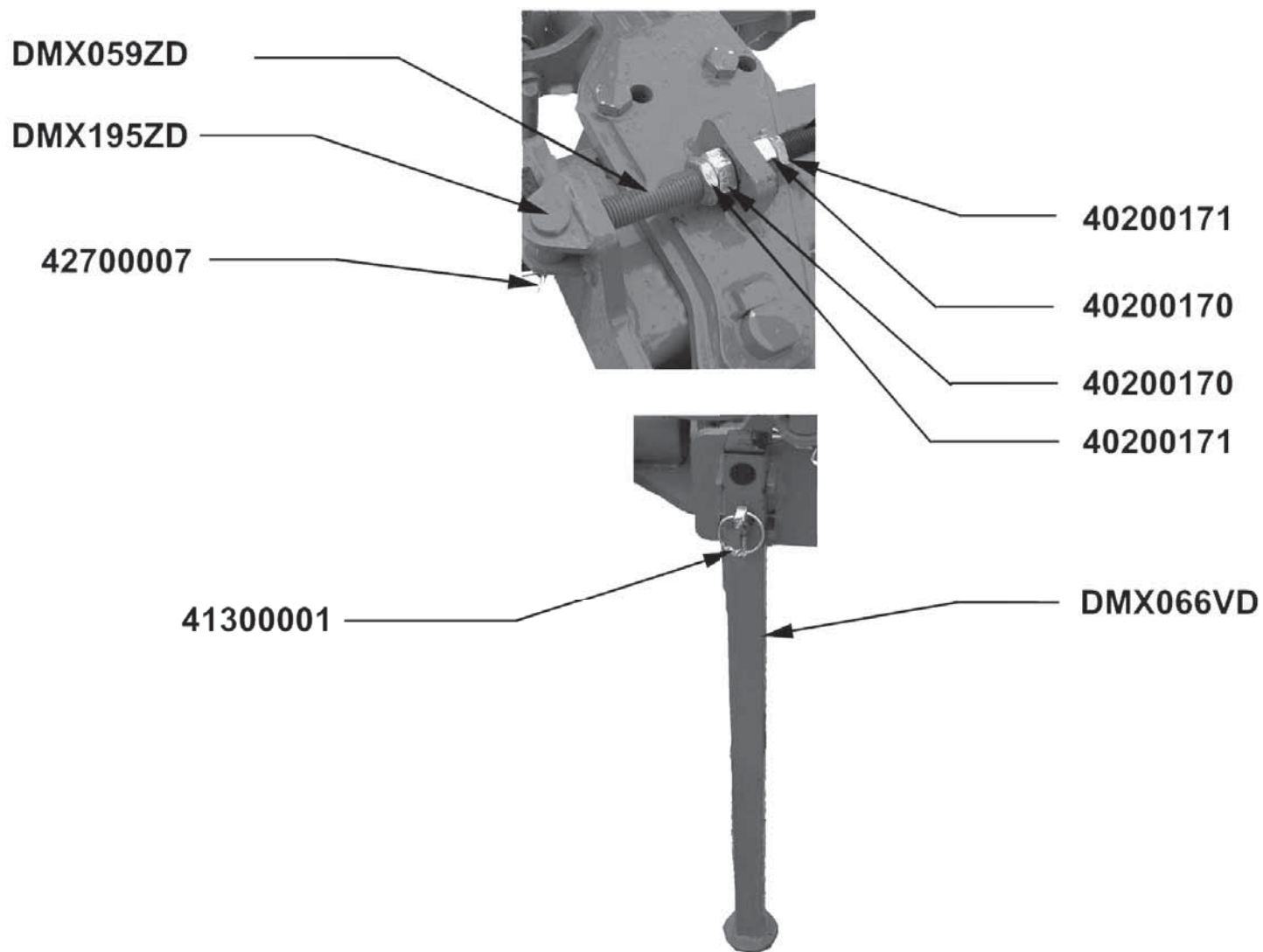




ENERGIA

Aretro Reversibile
Reversible Plough
Charrue Reversible

VITE - SCREW - VIS





ENERGIA

Aretro Reversibile
Reversible Plough
Charrue Reversible

RUOTINO - WHEEL - ROUE

